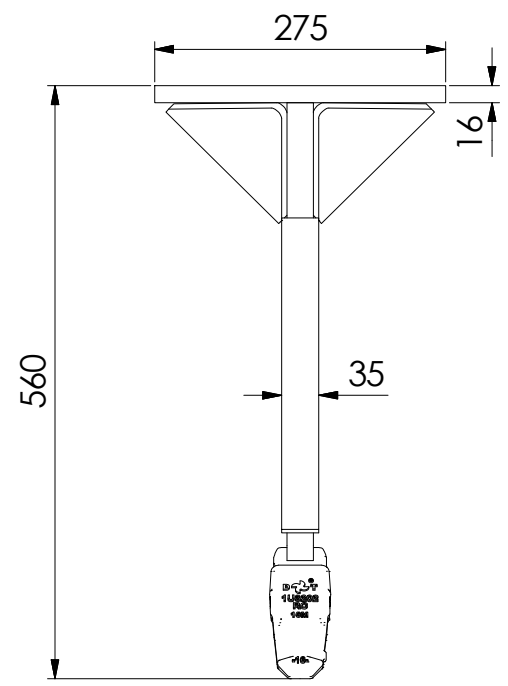
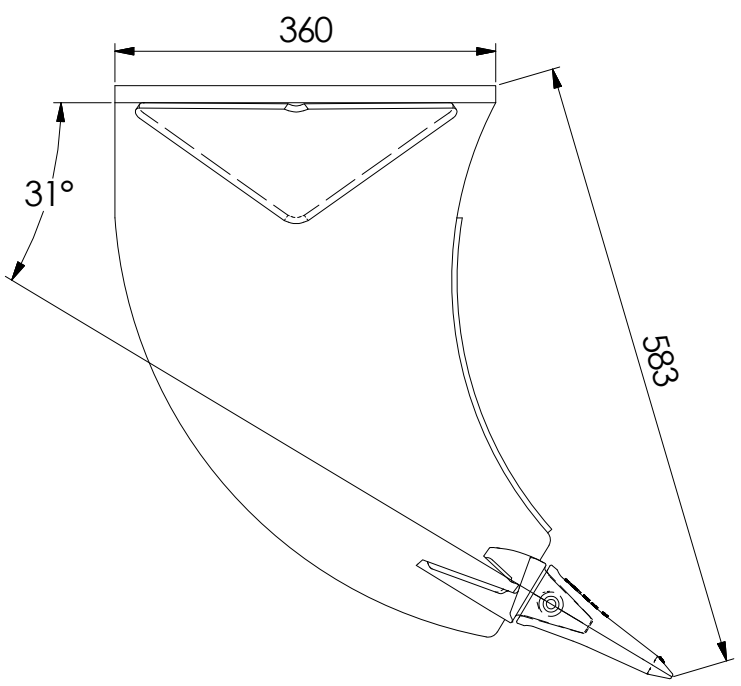


8 7 6 5 4 3 2 1

D

D

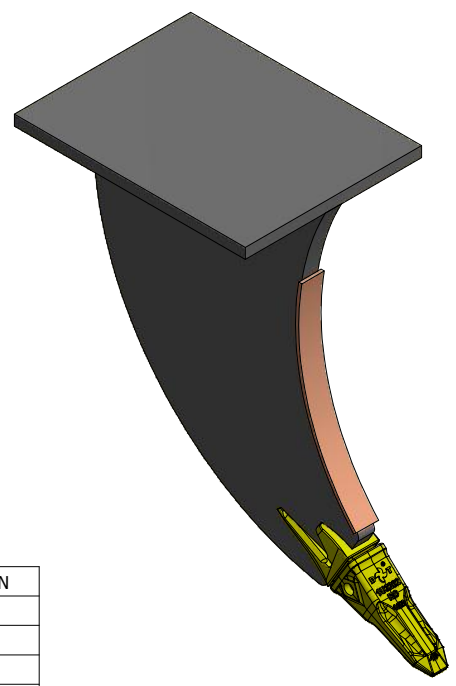


C

C






B

B



A

A

MATERIAL SPECIFICATION	
	ST52.3
	EN8D
	HB 400
	HB 450
	CASTALLOY STEEL

SCANBOLT®	
DESCRIPTION	RIPPER
MACHINE CLASS	1.5 - 3.0 TON
WEIGHT	48 Kg
HEAPED CAPACITY	N/A

8 7 6 5 4 3 2 1